



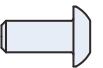
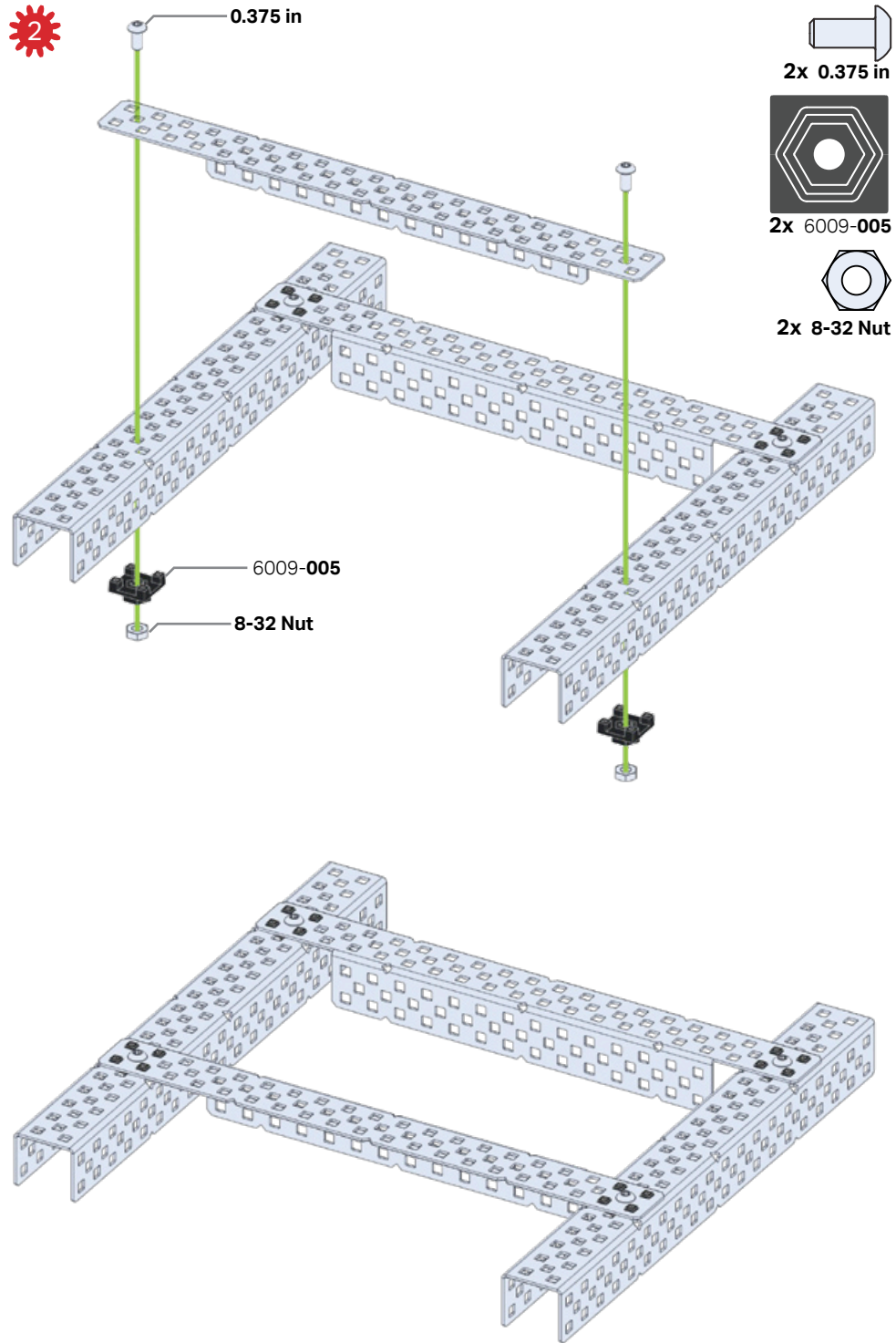
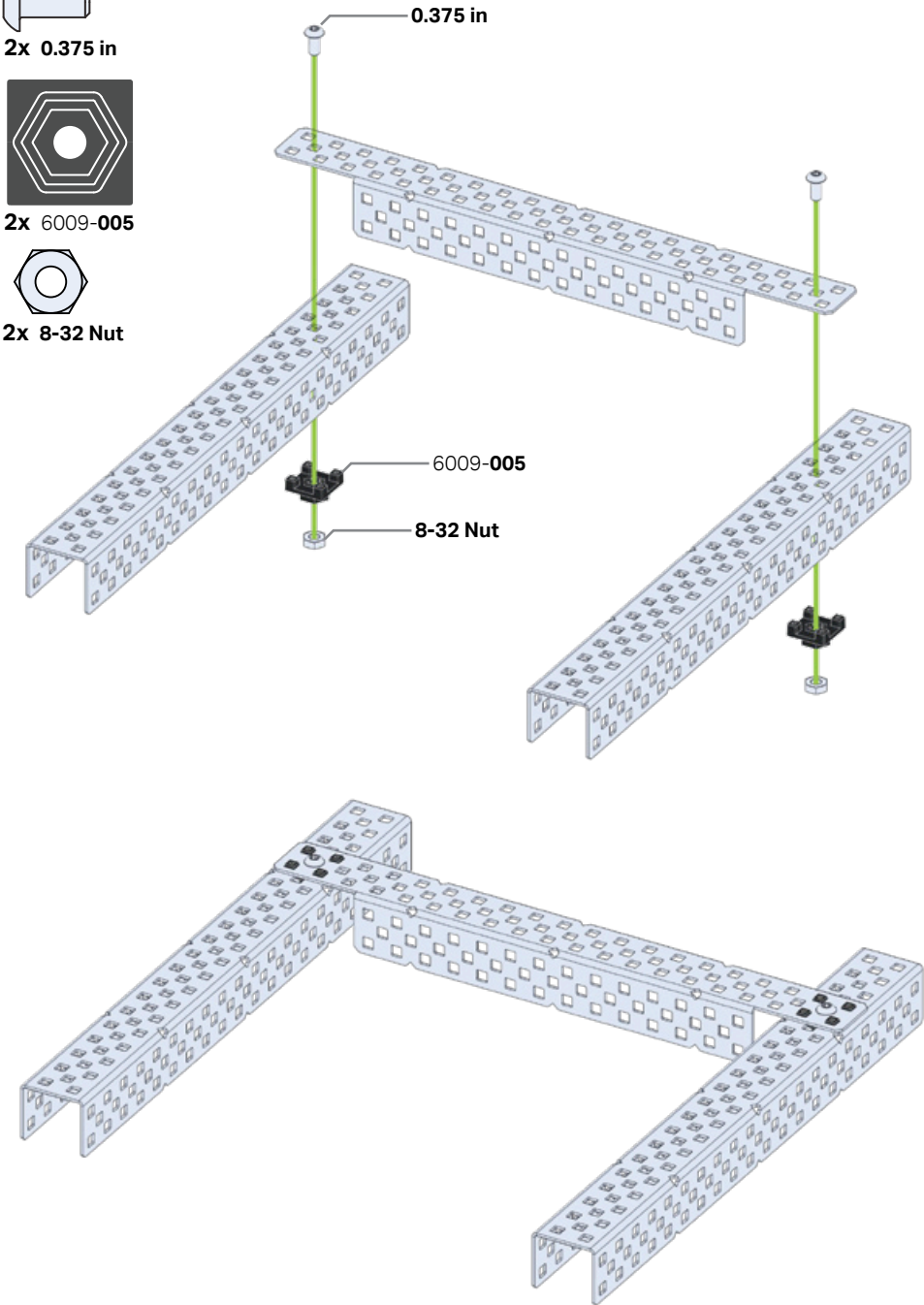
2x 0.375 in



2x 6009-005



2x 8-32 Nut



2x 0.375 in

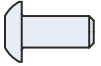


2x 6009-005



2x 8-32 Nut

3



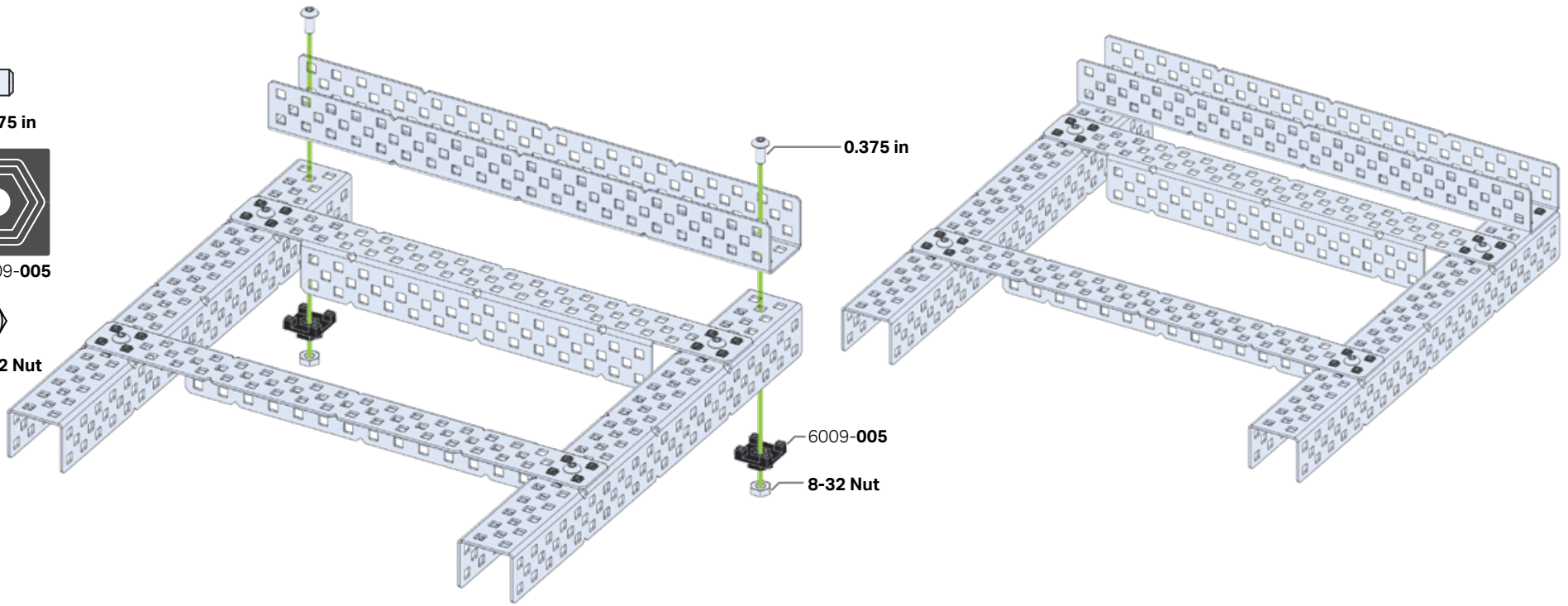
2x 0.375 in



2x 6009-005



2x 8-32 Nut



4

6009-003

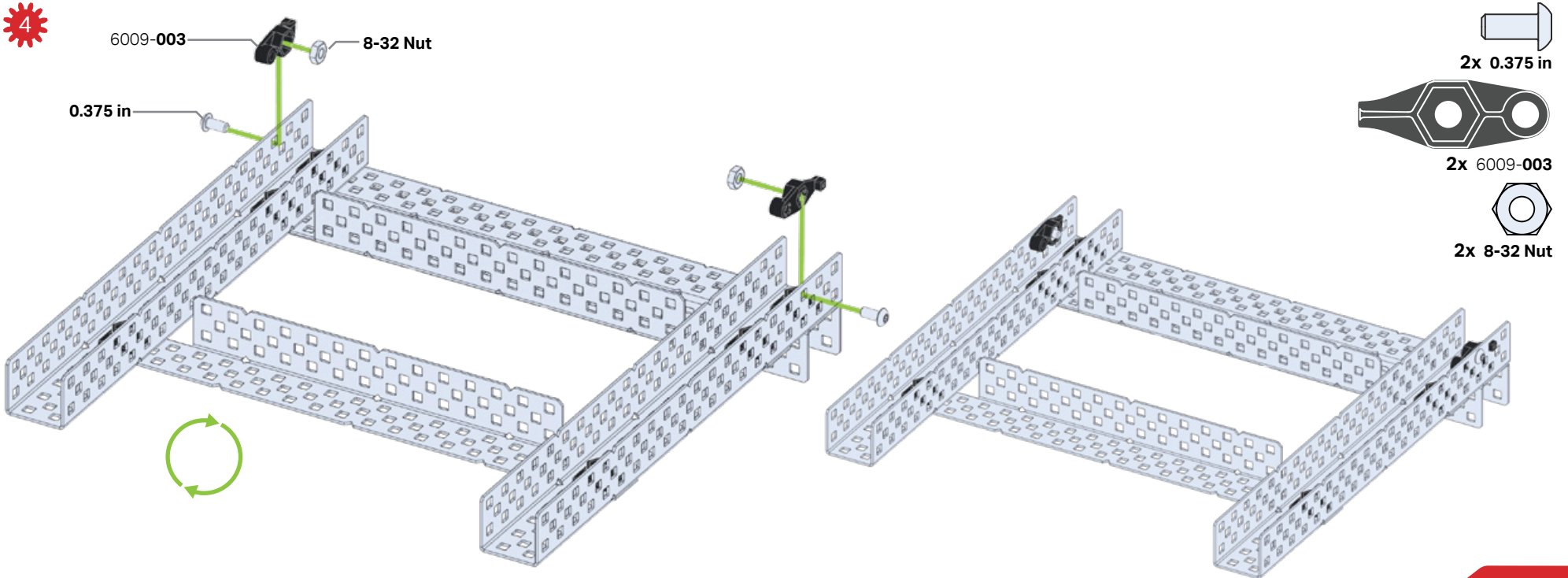
8-32 Nut

0.375 in

2x 0.375 in

2x 6009-003

2x 8-32 Nut





5



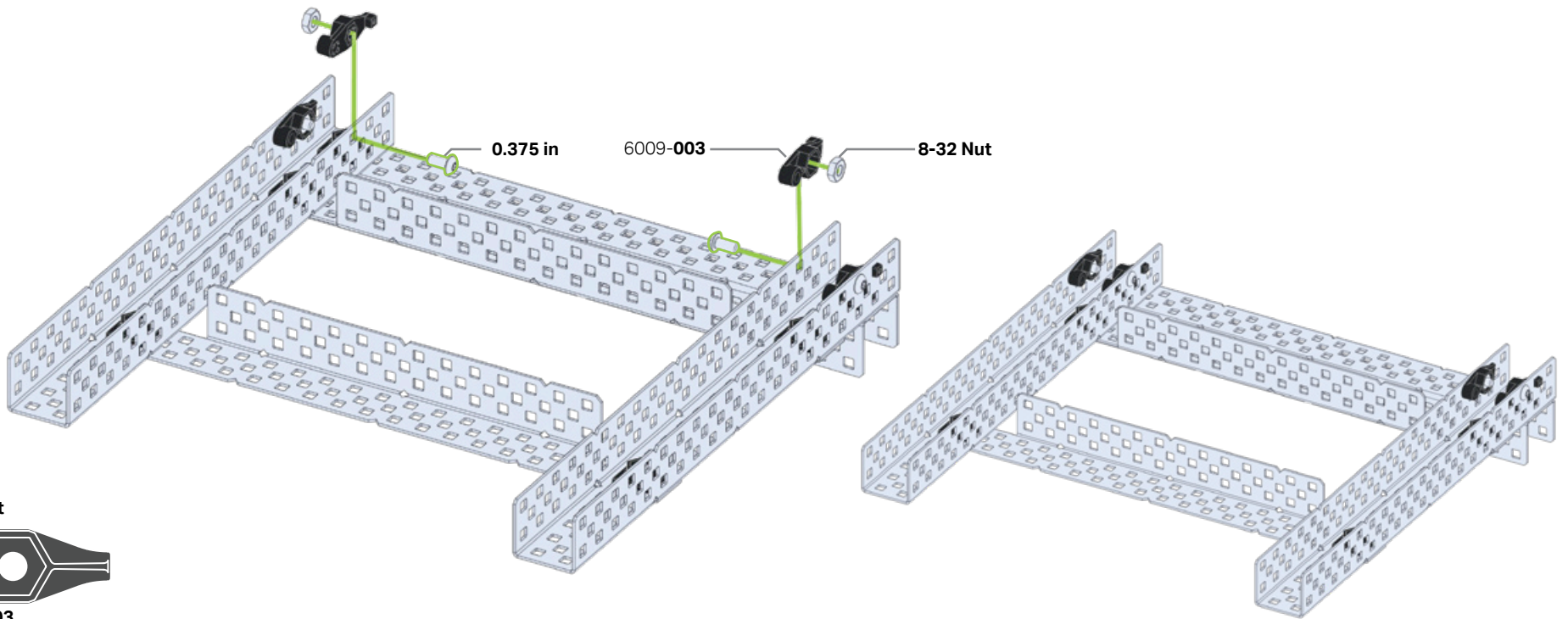
2x 0.375 in



2x 8-32 Nut



2x 6009-003

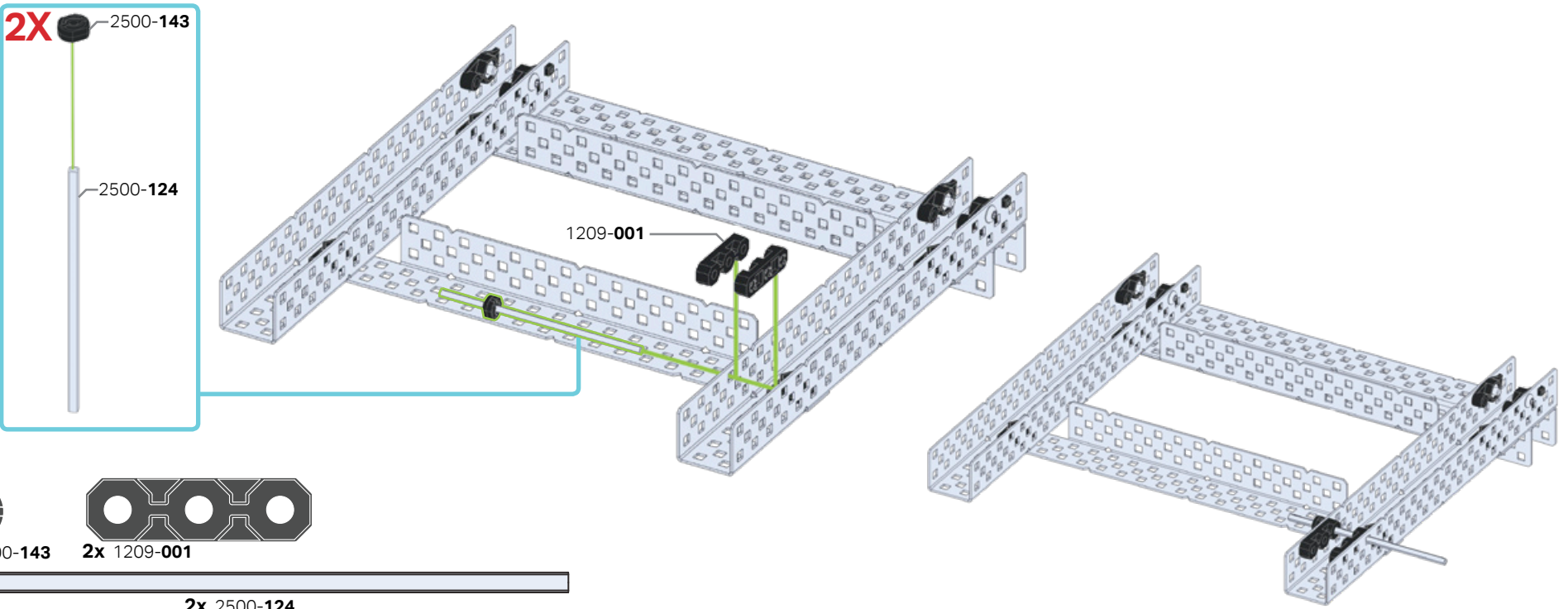


6

2X 2500-143

2500-124

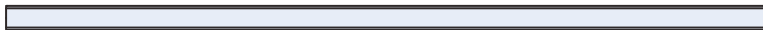
1209-001



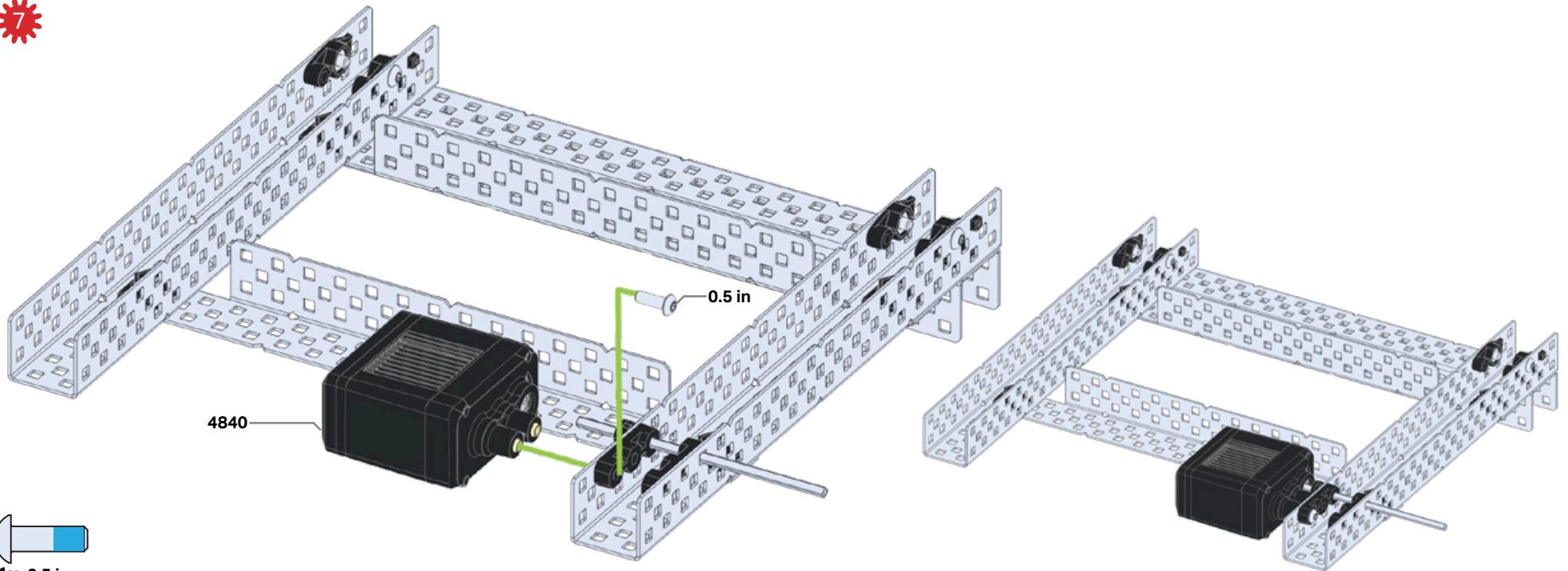
2x 2500-143



2x 1209-001



2x 2500-124

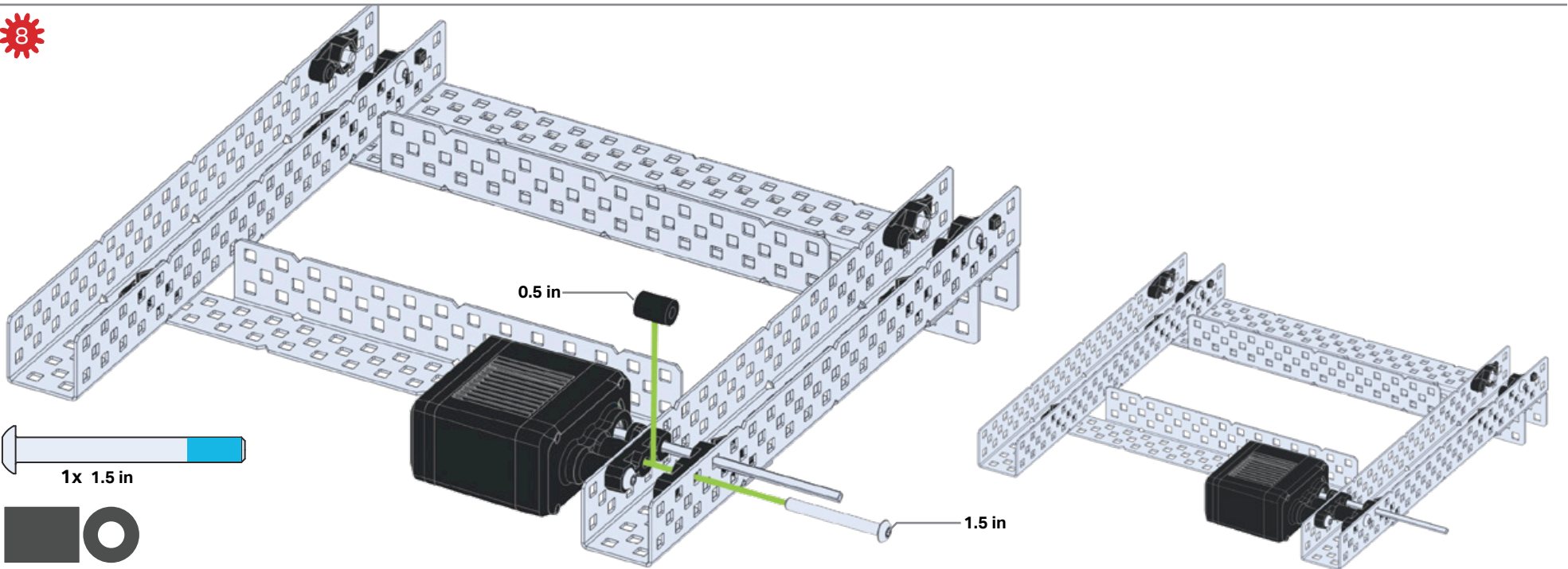


4840

0.5 in

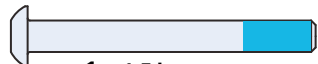


1x 0.5 in



0.5 in

1.5 in

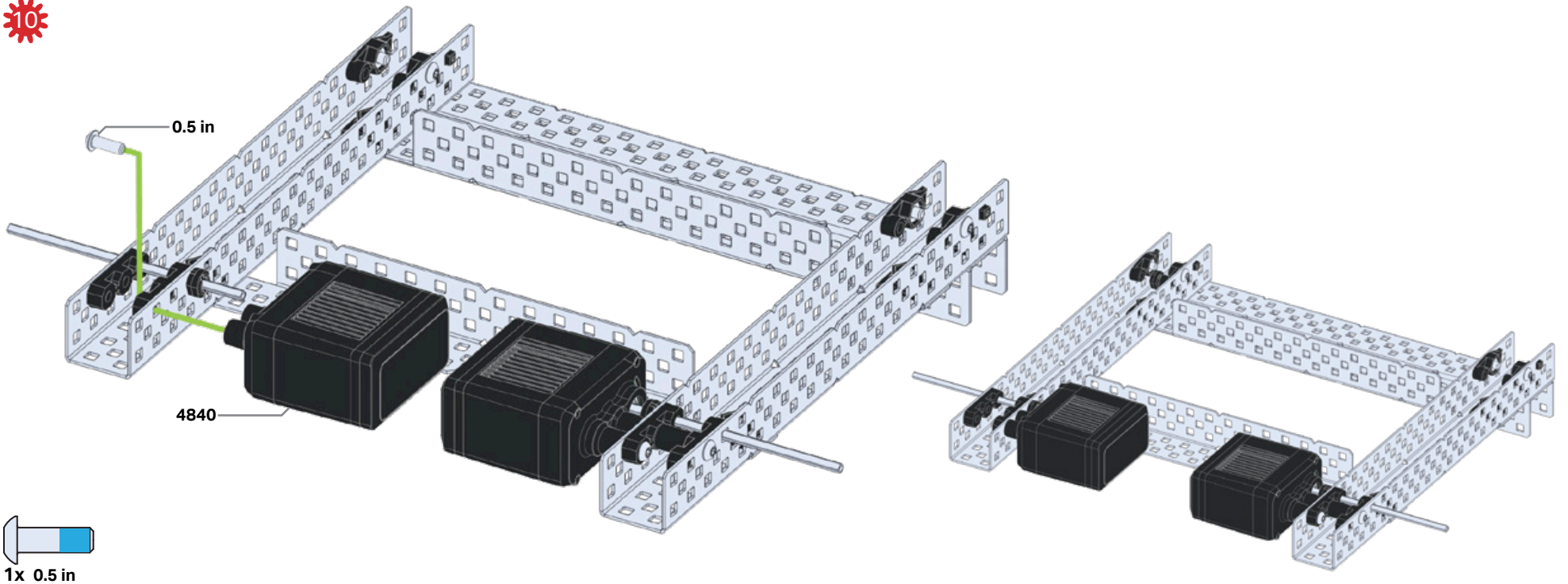
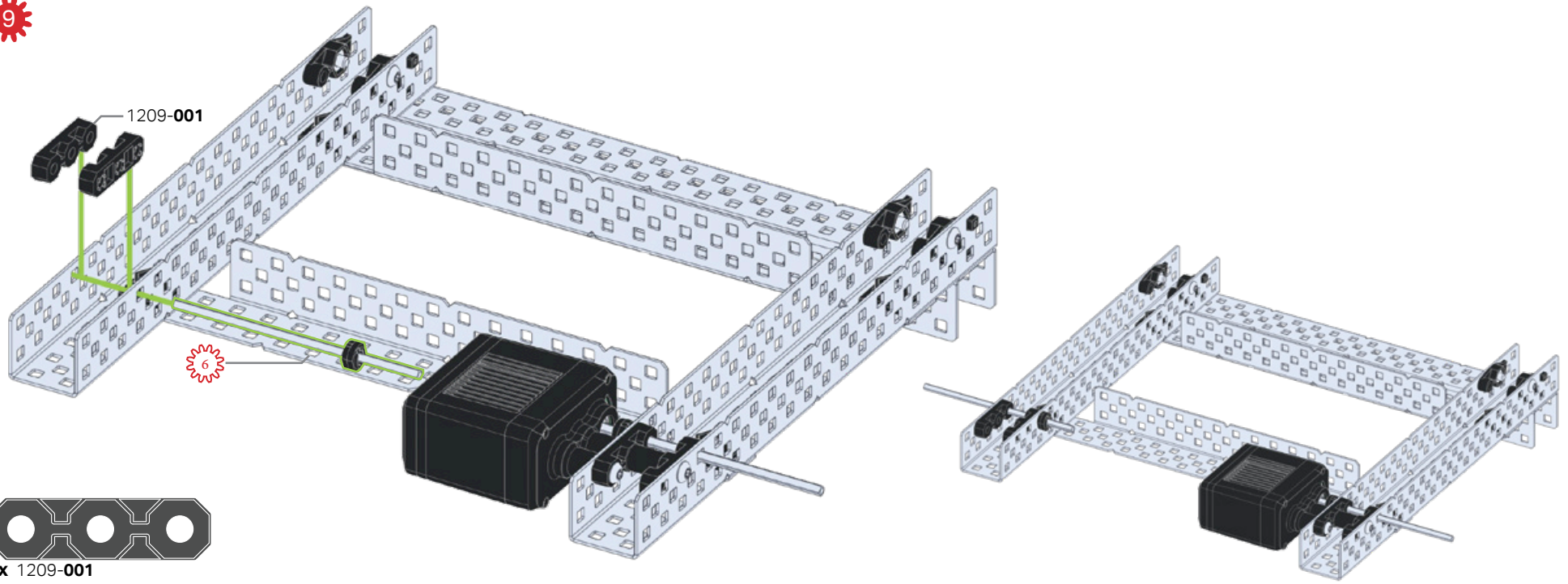


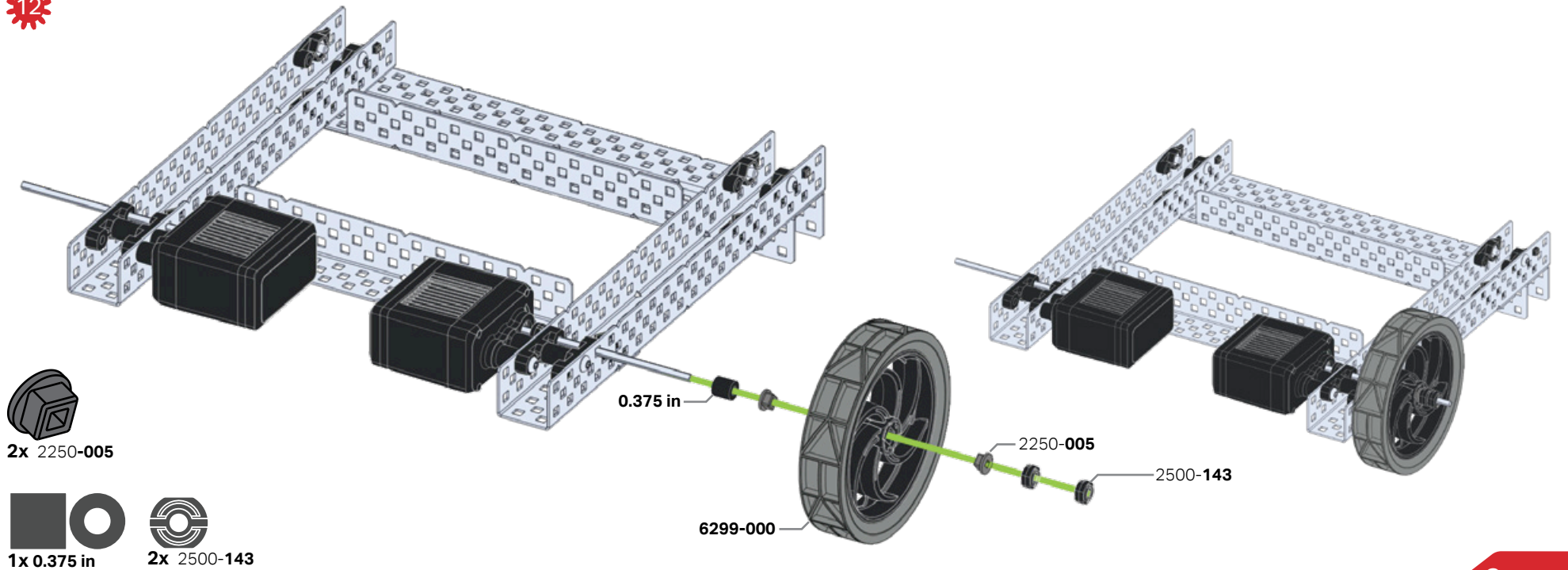
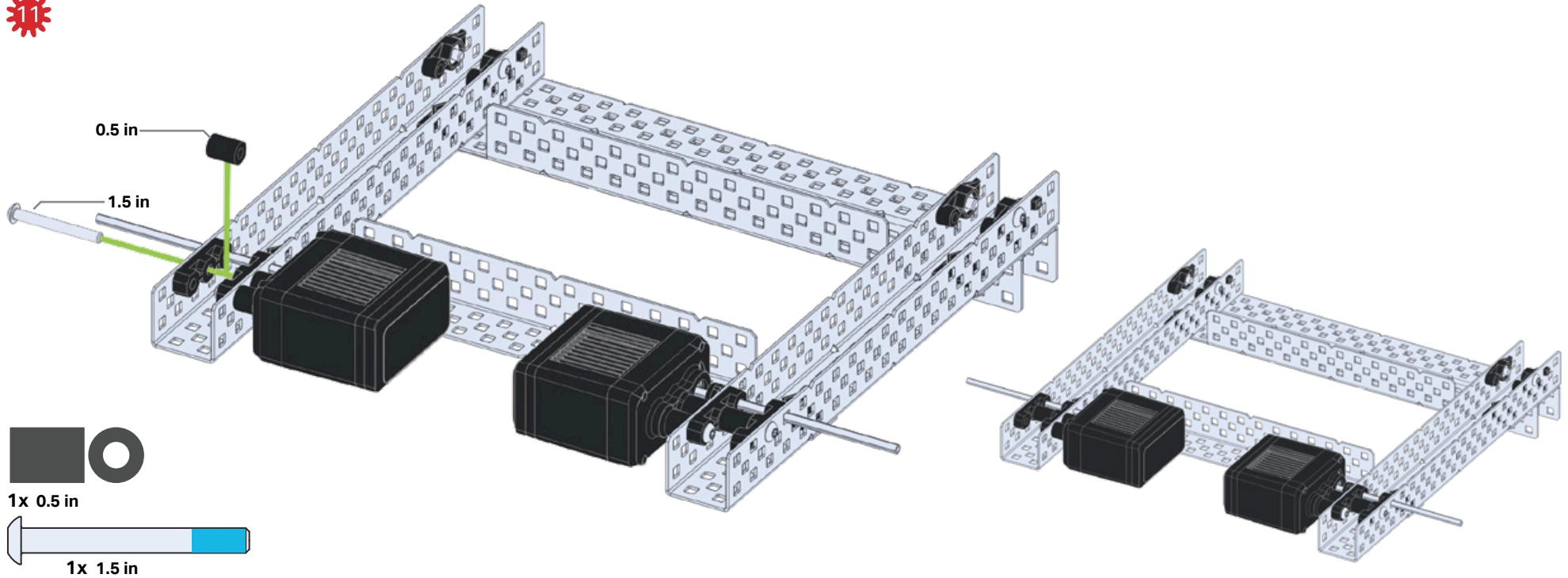
1x 1.5 in



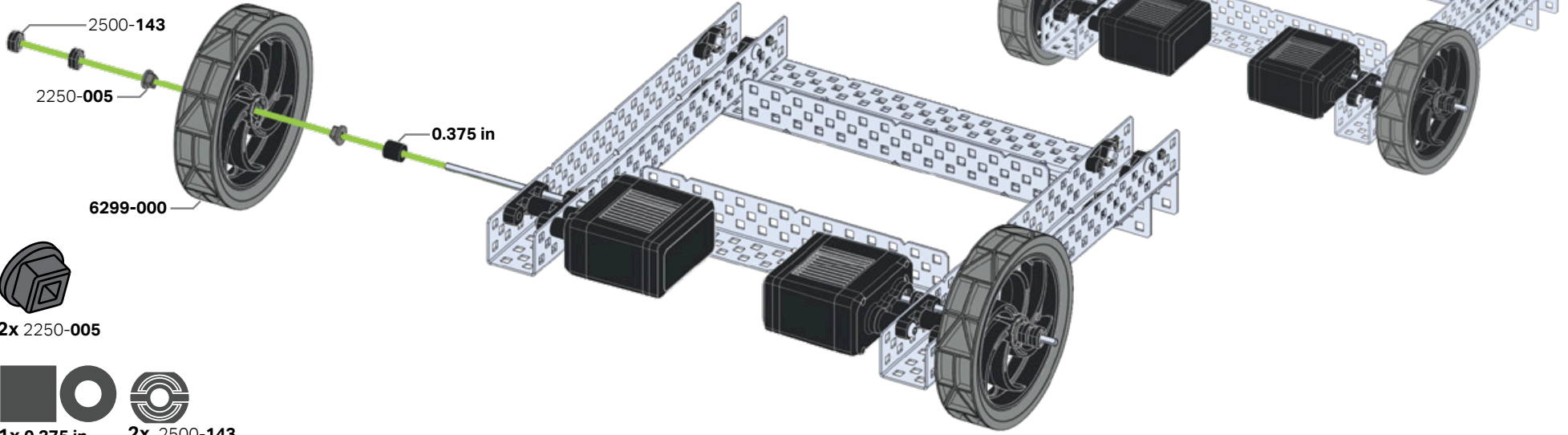
1x 0.5 in







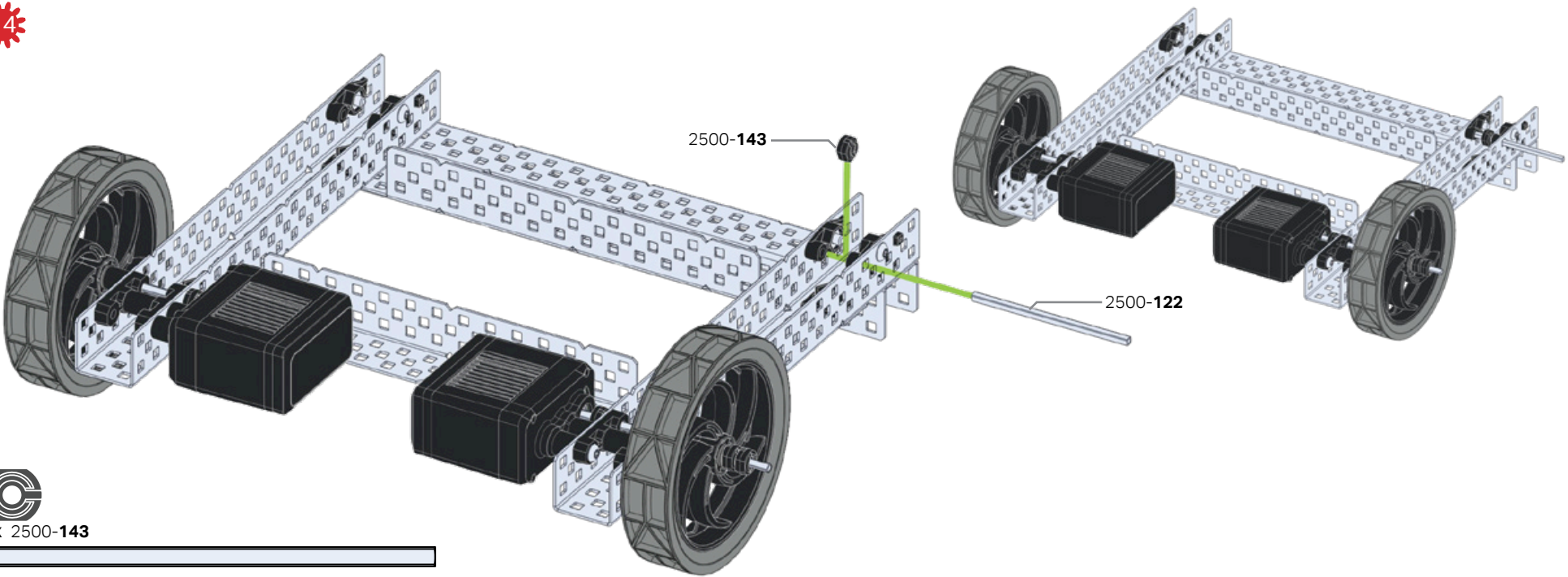




2x 2250-005



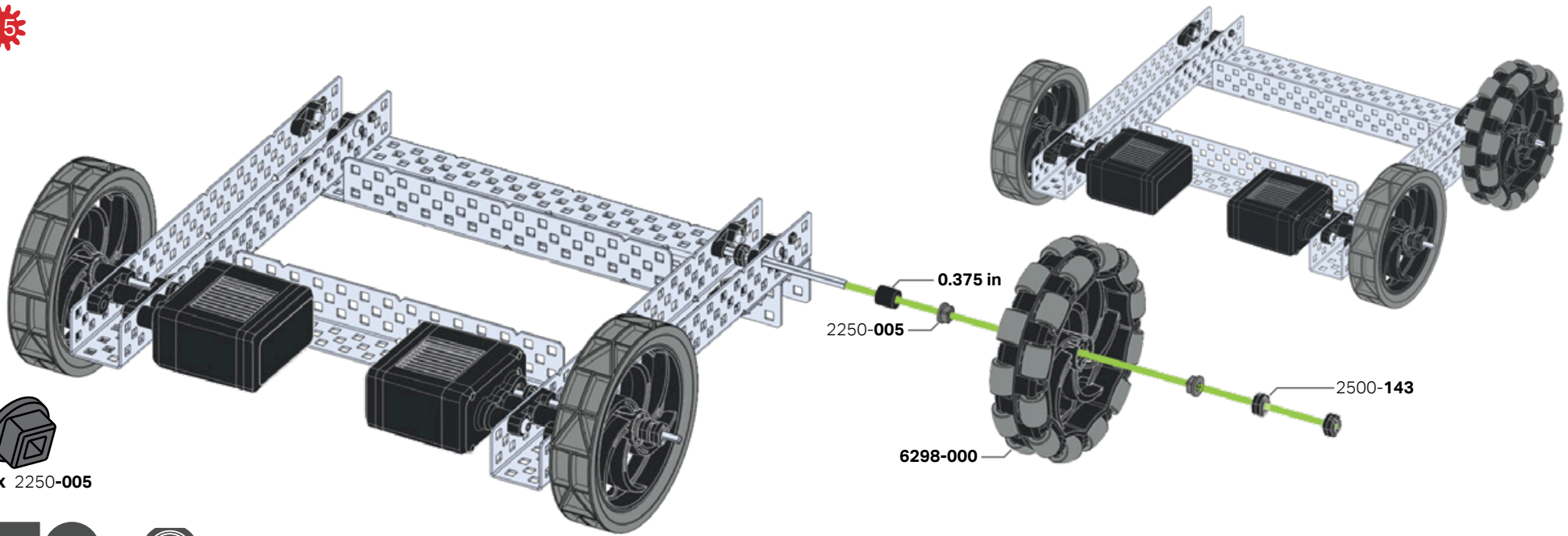
1x 0.375 in    2x 2500-143



1x 2500-143



1x 2500-122



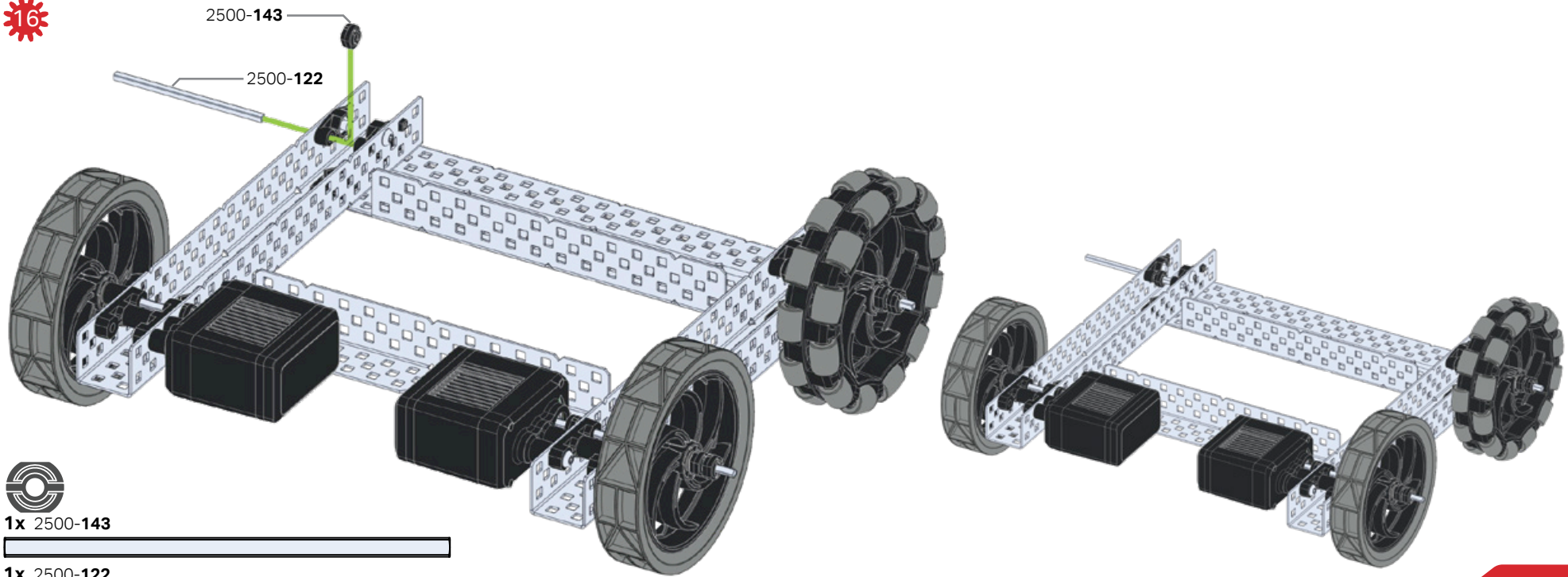
2x 2250-005



1x 0.375 in



2x 2500-143

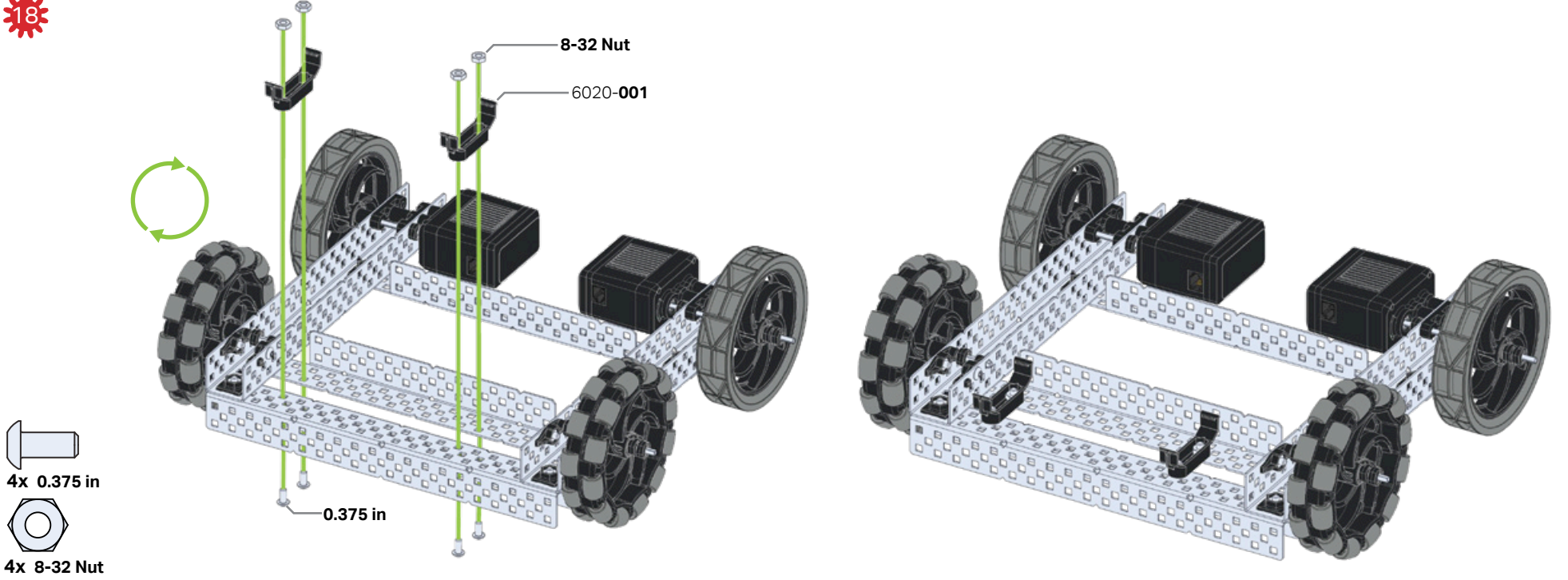
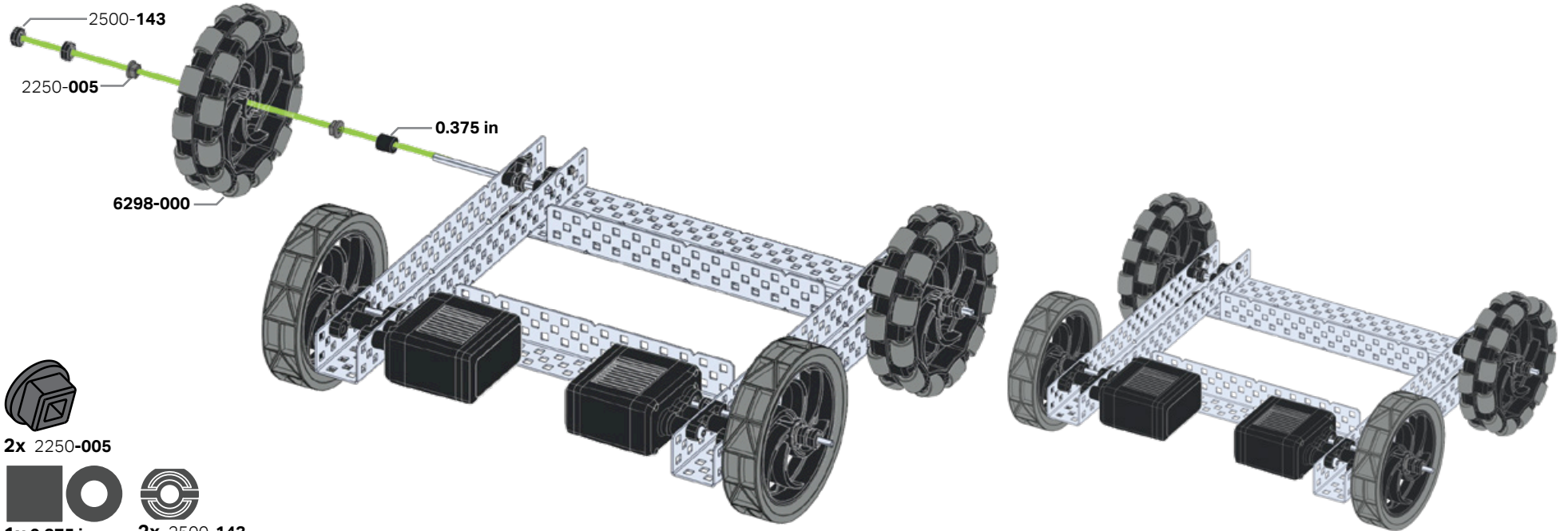


1x 2500-143



1x 2500-122

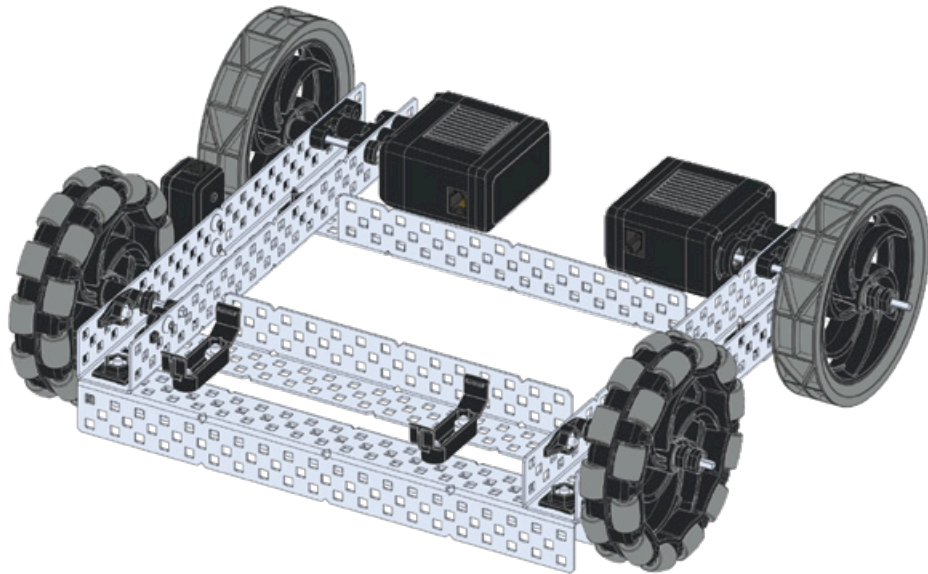
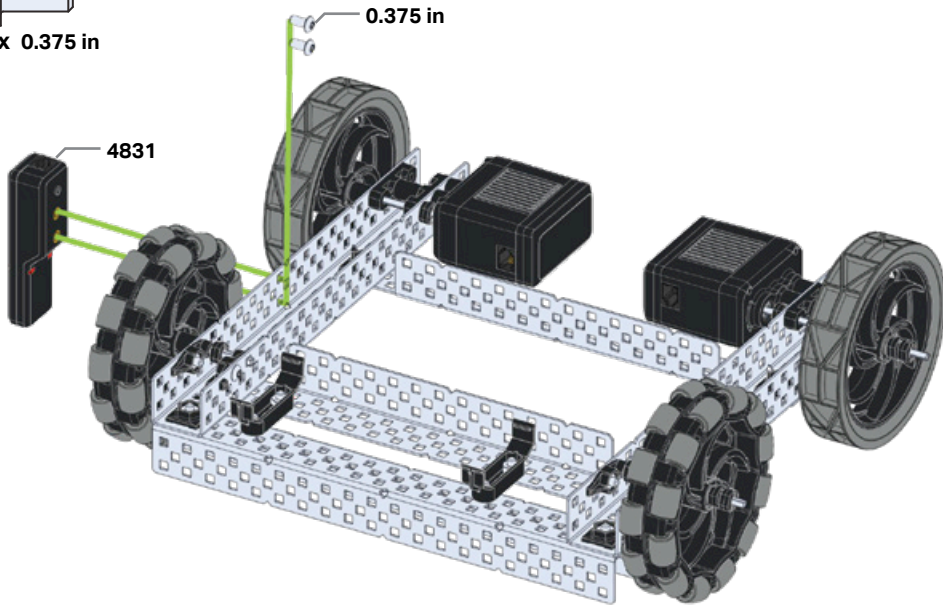




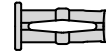
19



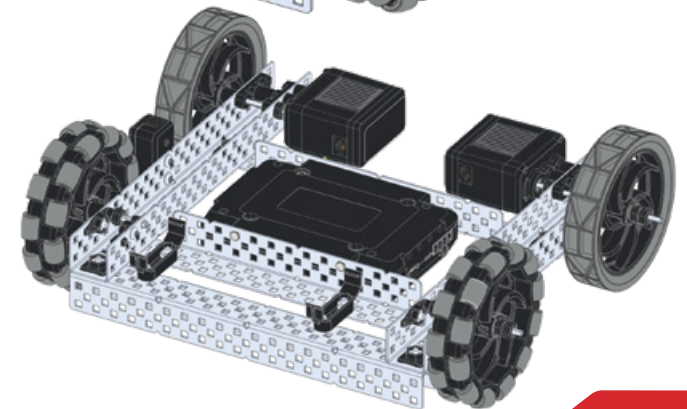
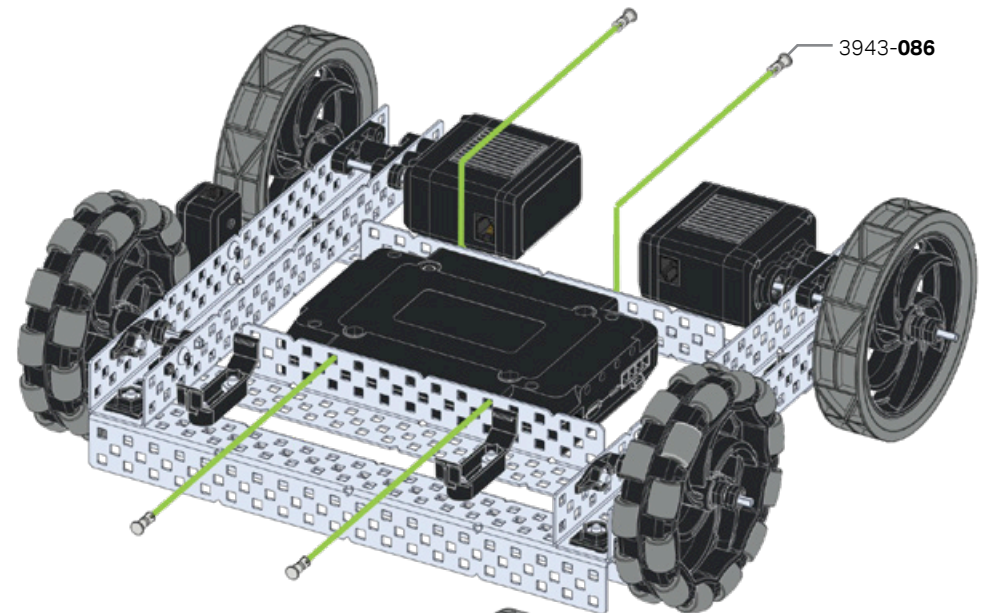
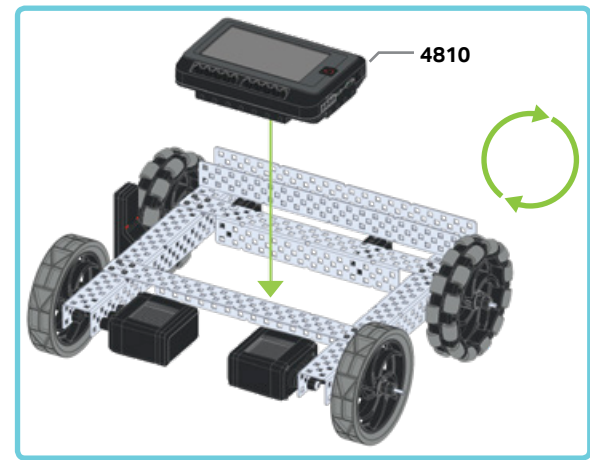
2x 0.375 in



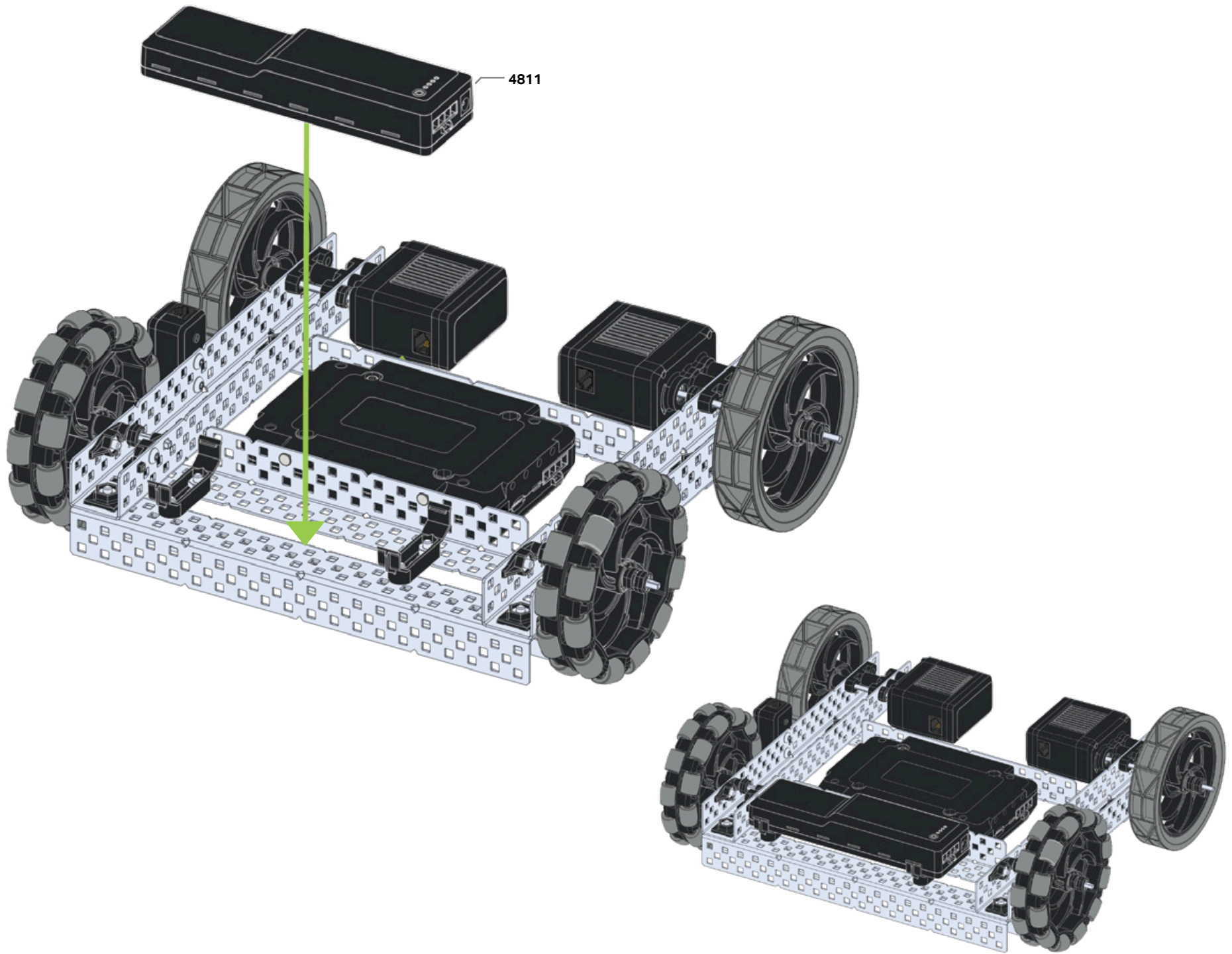
20

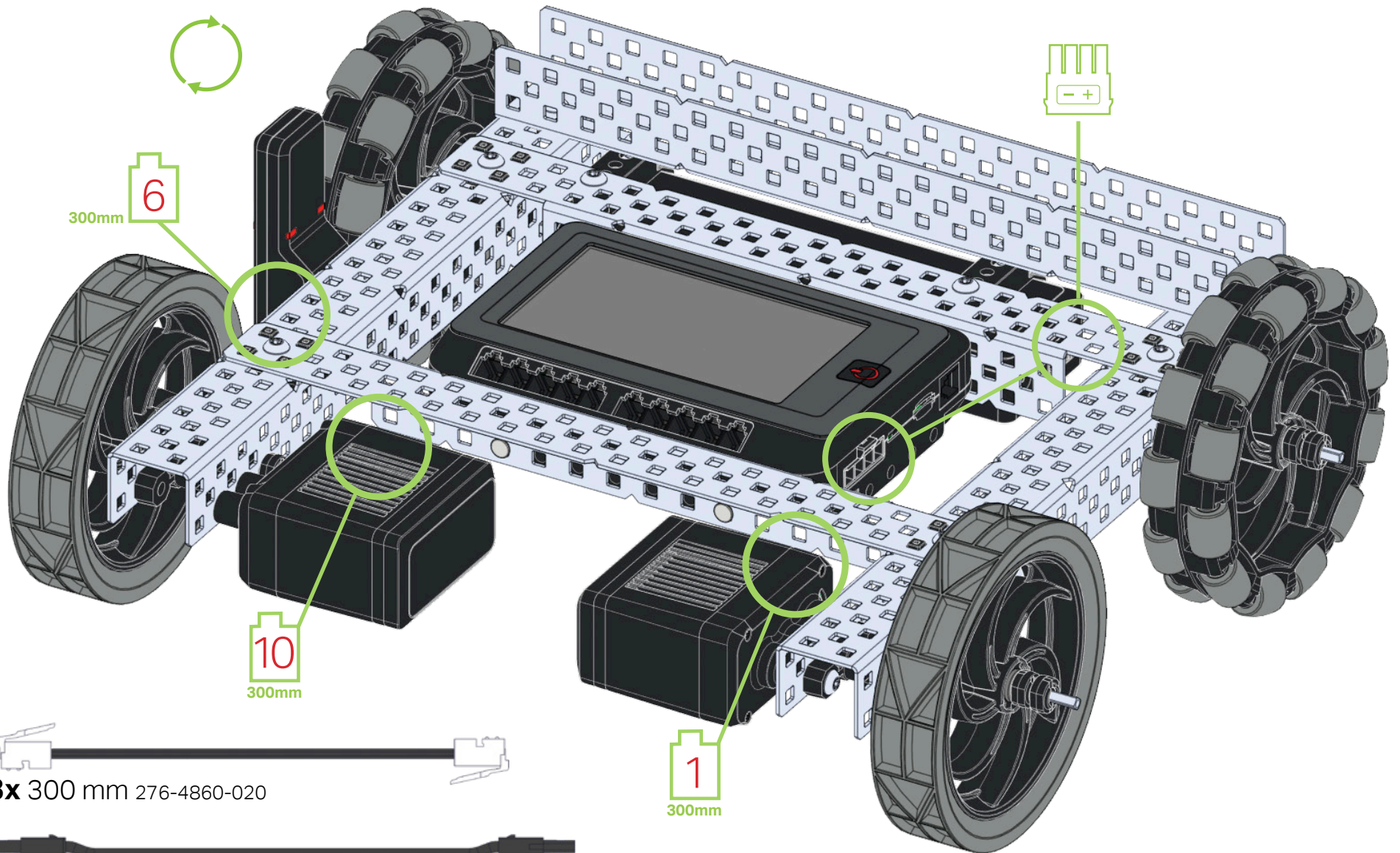


4x 3943-086









3x 300 mm 276-4860-020



1x 180 mm 276-4817-100